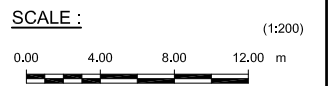
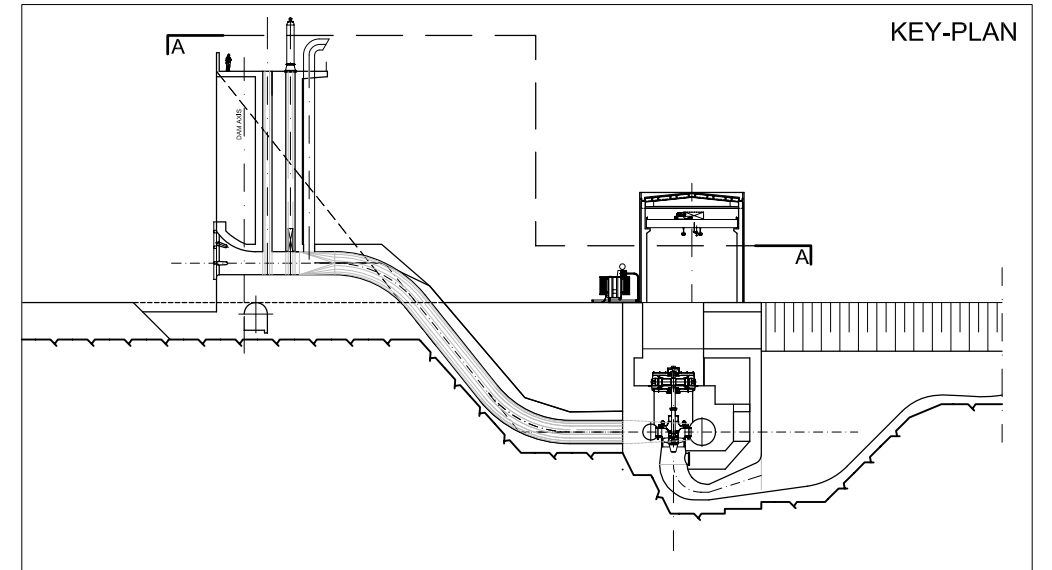
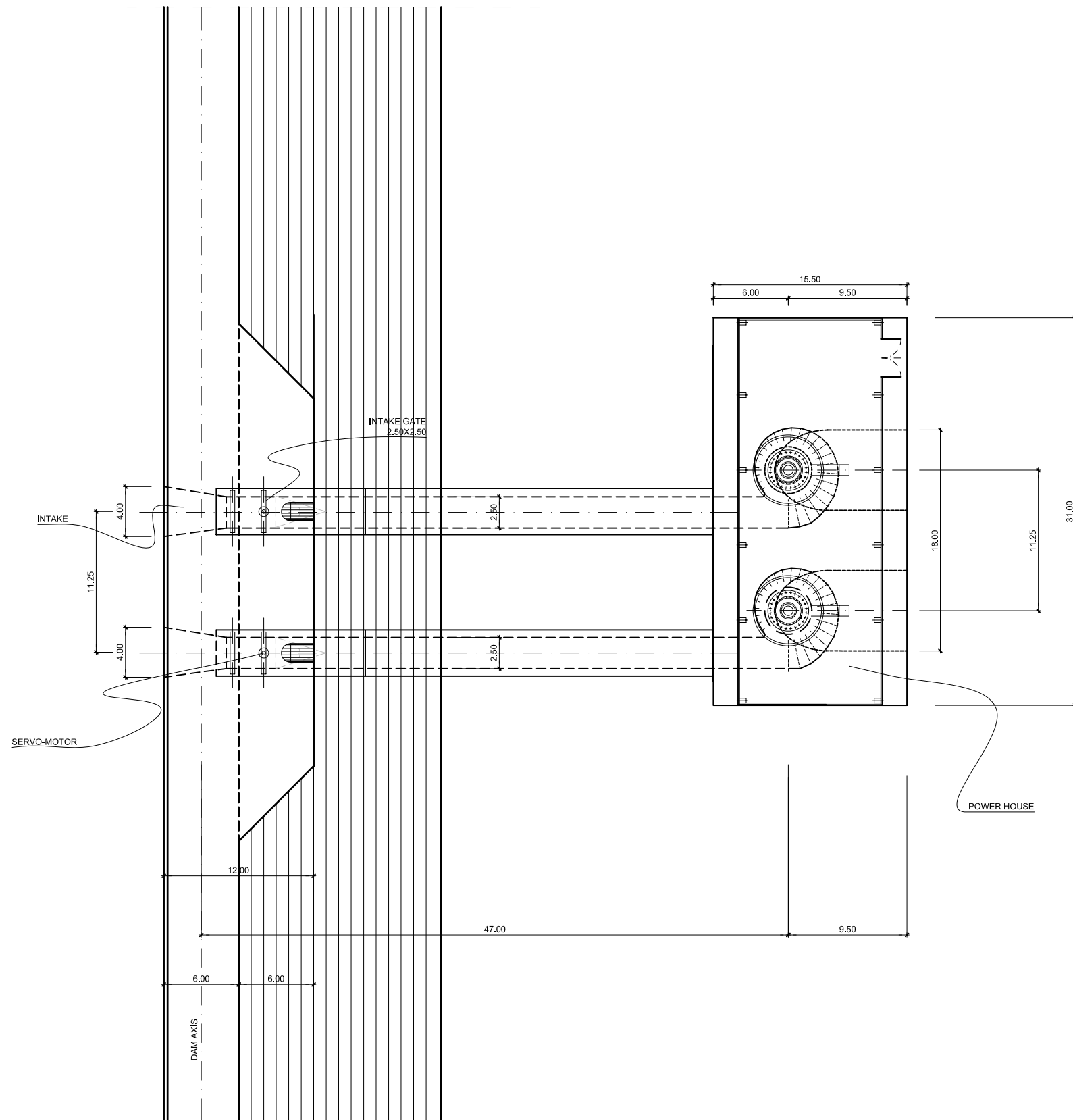


POWER HOUSE - SECTION A-A
(1:200)



09.10.2009

BAKIN KOGI DAM AND HPP			
PRELIMINARY DESIGN			
RCC ALTERNATIVE - POWER INTAKE SECTION A-A			
			C
			B
			A
Date:	Draw:	Chec:	App:
10.09.2009	TRS-MS	MB	La
Date:	Draw:	Chec:	App:
N. comm.		Name File 6520.0-P-206	N. L.O. 6520.0-206